

DESCRIPTION:

AMC MODEL MSN-5DR-05-DEC-MP IS A SINGLE POLE FIVE THROW, REFLECTIVE SWITCH MODULE WITH VERY LOW INSERTION LOSS, HIGH ISOLATION AND WITH INTEGRAL TTL DRIVER, DESIGNED FOR 2 TO 18 GHz FREQUENCY RANGE

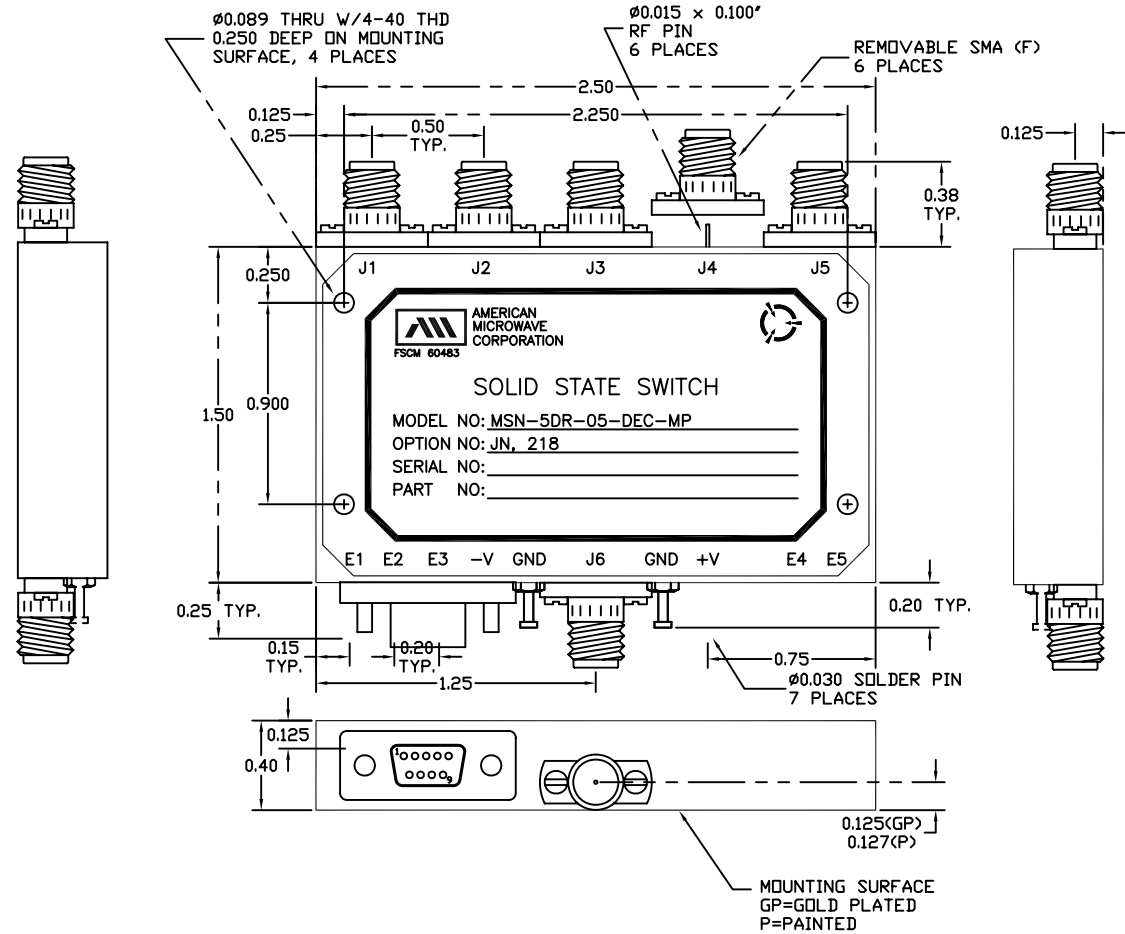
REVISIONS				
ZONE	REV.	DESCRIPTION	DATE	APPROVED
		- ORIGINAL RELEASE JOB# 603059-1	07/19/06	

SPECIFICATIONS:

- FREQUENCY: 2 GHz TO 18 GHz
- INSERTION LOSS: REFLECTIVE 3.0 dB
- ISOLATION: 2 GHz TO 18 GHz; 60 dB
- VSWR: REFLECTIVE IN/OUT 2.0:1
- SPEED: RISE: 10ns TYPICAL, 15ns MAX.
FALL: 10ns TYPICAL, 15ns MAX.
DELAY ON: 75ns TYPICAL, 100ns MAX.
DELAY OFF: 75ns TYPICAL, 100ns MAX.
- POWER INPUT: (CW) +20dBm (STANDARD),
+10 dBm (HIGH SPEED)
- SURVIVAL POWER:1 WATT CW, 10 WATTS PEAK 1usec.
- CONTROL: TTL LOGIC "0" = ON "1" = OFF
- POWER SUPPLY: +5V @ 50mA MAX.
-5V @ 75mA MAX.(REFLECTIVE)
100mA MAX.(ABSORPTIVE/NON-REFLECTIVE)

OPTIONS:

- 218 2 GHz TO 18 GHz FREQUENCY RANGE
- JN MEETING SPECIFICATIONS FOR MR. JOHN NOVAK.



NOTE:
DT=WITH DRIVER, NON-REFLECTIVE/ABSORPTIVE

ENVIRONMENTAL RATINGS:

- TEMPERATURE: -10°C TO +55°C (OPERATING)
-40°C TO +71°C (STORAGE)
- HUMIDITY: 95% OVER TEMPERATURE
- SHOCK: MIL-STD-202F, METHOD 213B COND. B
- VIBRATION: MIL-STD-202F, METHOD 204D COND. B
- ALTITUDE: MIL-STD-202F, METHOD 105C COND. B
- TEMPERATURE CYCLE: MIL-STD-202F, METHOD 107D COND. A

ALL DIMENSIONS ARE IN INCHES
TOLERANCES:

- X.XX ± 0.020
- X.XXX ± 0.010

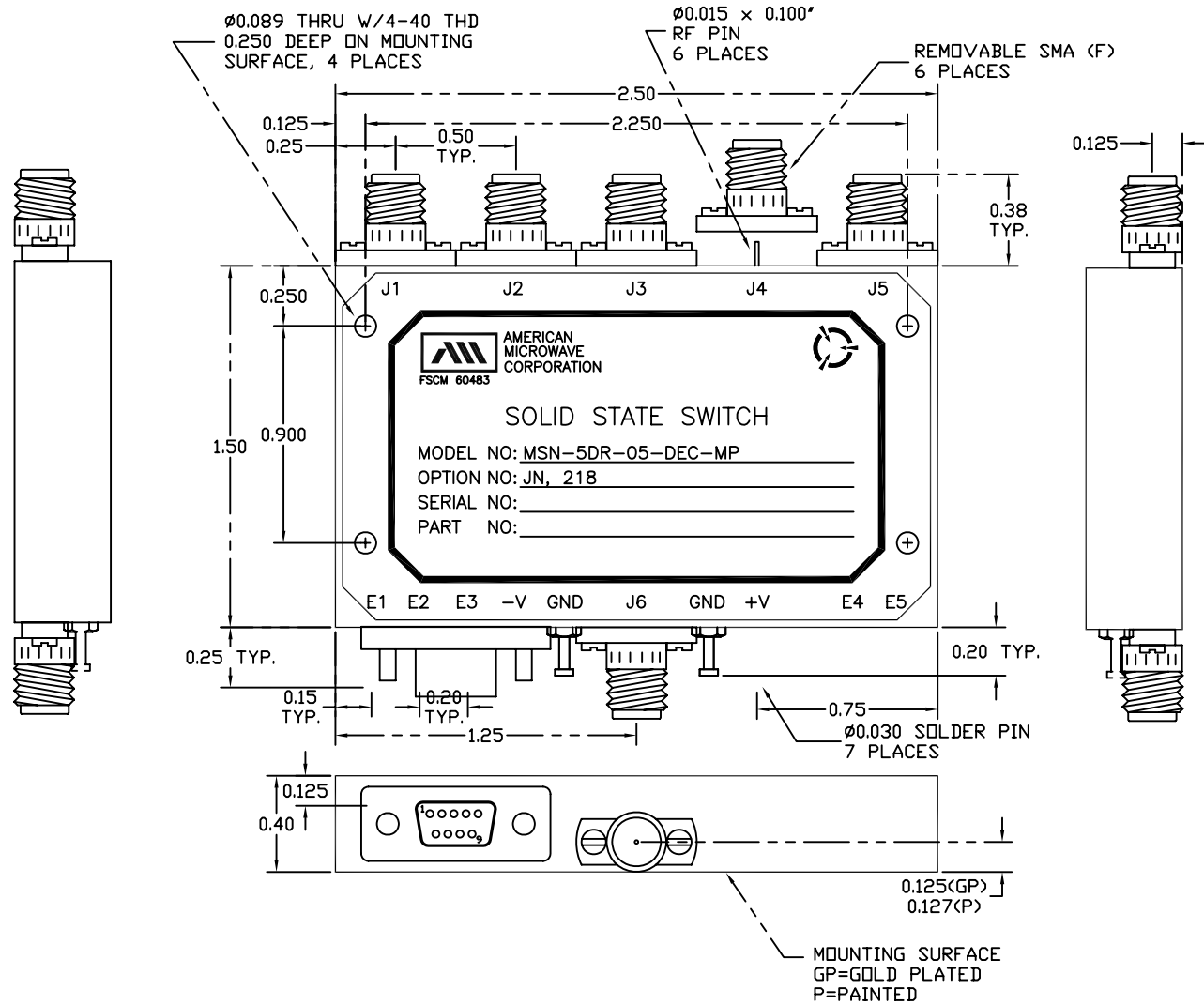
NOTE: THE ABOVE SPECIFICATIONS ARE SUBJECT TO CHANGE OR REVISION

PART NO.		AMERICAN MICROWAVE CORPORATION FREDERICK, MARYLAND	
APPROVALS	DATE	TITLE	
DRAWN <i>PRB</i>	07/19/06	PRODUCT FEATURE MSN-5DR-05-DEC-MP OPTION JN, 218 SOLID STATE SWITCH	
CHECKED <i>RA</i>	07/20/06	SIZE	FSCM NO.
ISSUED		A	60483
		DWG NO.	100-4166-7
		SCALE	N/S
		SHEET	1 of 4

DESCRIPTION:

AMC MODEL MSN-5DR-05-DEC-MP IS A SINGLE POLE FIVE THROW, REFLECTIVE SWITCH MODULE WITH VERY LOW INSERTION LOSS, HIGH ISOLATION AND WITH INTEGRAL TTL DRIVER, DESIGNED FOR 2 TO 18 GHz FREQUENCY RANGE

REVISIONS				
ZONE	REV.	DESCRIPTION	DATE	APPROVED
-	-	ORIGINAL RELEASE, JOB#603059-1	07/19/06	



ALL DIMENSIONS ARE IN INCHES
 TOLERANCES:
 X.XX ±0.020
 X.XXX ±0.010

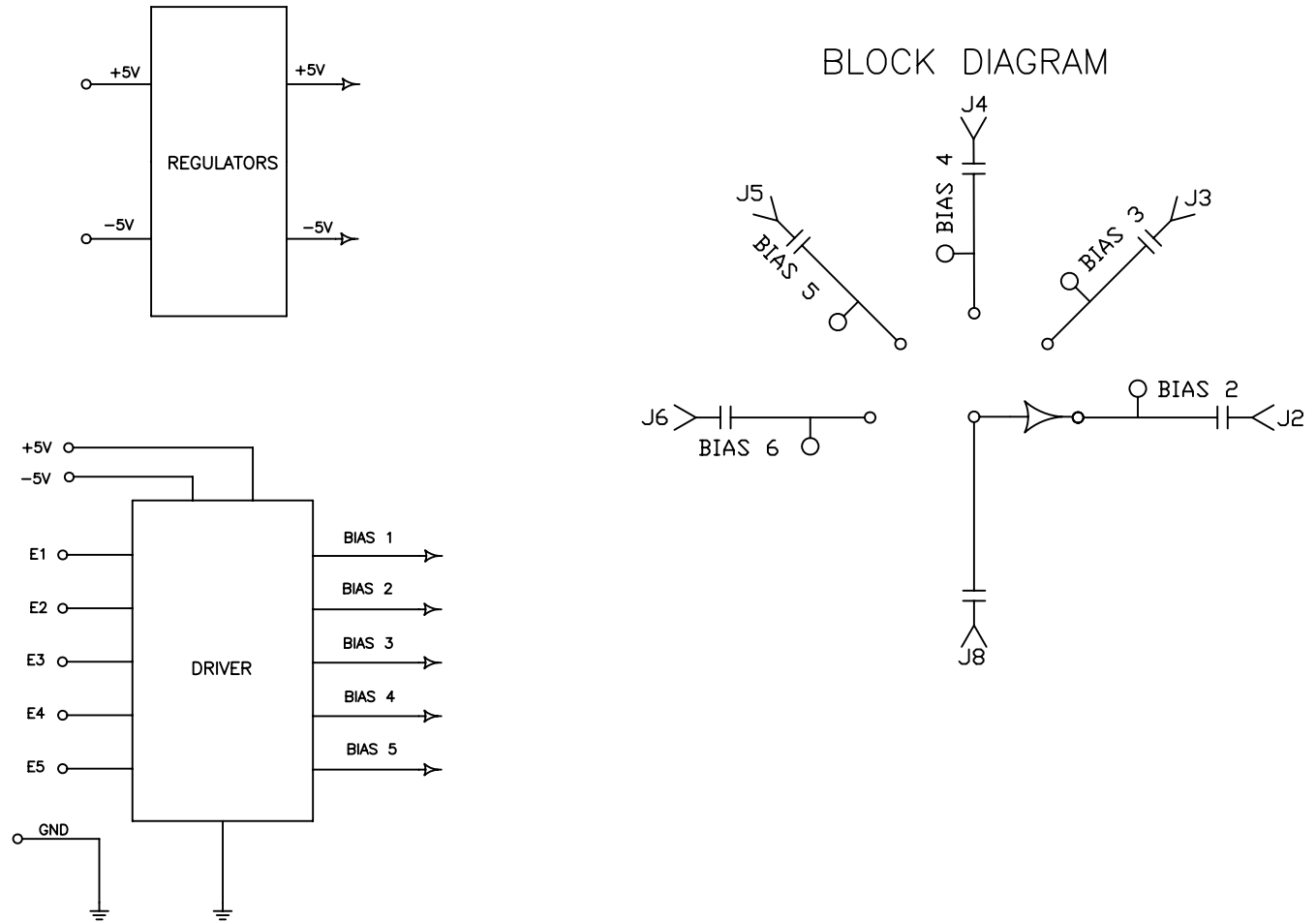
PART NO.		AMERICAN MICROWAVE CORPORATION FREDERICK, MARYLAND	
APPROVALS	DATE	TITLE	
DRAWN <i>PRB</i>	07/19/06	OUTLINE DRAWING MSN-5DR-05-DEC-MP OPTION JN, 218 SOLID STATE SWITCH	
CHECKED <i>RA</i>	07/20/06	SIZE	REV.
ISSUED		A	-
		FSCM NO. 60483	DWG NO. 100-4166-7
		SCALE N/S	SHEET 2 of 4


DESCRIPTION:

AMC MODEL MSN-5DR-05-DEC-MP IS A SINGLE POLE FIVE THROW, REFLECTIVE SWITCH MODULE WITH VERY LOW INSERTION LOSS, HIGH ISOLATION AND WITH INTEGRAL TTL DRIVER, DESIGNED FOR 2 TO 18 GHz FREQUENCY RANGE

REVISIONS				
ZONE	REV.	DESCRIPTION	DATE	APPROVED
	-	ORIGINAL RELEASE, JOB# 603059-1	07/19/06	

FUNCTIONAL BLOCK DIAGRAM:



PART NO.		 AMERICAN MICROWAVE CORPORATION FREDERICK, MARYLAND			
APPROVALS	DATE	TITLE			
DRAWN <i>PRB</i>	07/19/06	FUNCTIONAL SCHEMATIC			
CHECKED <i>RA</i>	07/20/06	MSN-5DR-05-DEC-MP			
		OPTION JN, 218			
		SOLID STATE SWITCH			
ISSUED		SIZE	FSCM NO.	DWG NO.	REV.
		A	60483	100-4166-7	-
		SCALE	N/S	SHEET	3 of 4